

Advanced IP Phone with 3 lines & HD voice

Yealink SIP-T26P is an advanced IP phone which designed for maximum productivity and efficiency in the everyday business environment. Yealink HD technology enables rich, clear, life-like voice communications. Built-in 10 DSS keys for programmed as the IP-PBX features like BLF/BLA, intercom, call pickup, hot desking, etc. Six navigation keys and four soft keys help you to use the phone easily. Ten dedicated functional keys provide you with direct access to the functions for audio and call control. Moreover, SIP-T26P has the rich external interfaces including 2xLAN, PoE, headset and expansion module ports, supports 802.1x, Open VPN, etc security standards.



Key Features and Benefits

HD Audio

Yealink HD Voice refers to the combination of software and hardware design as well as the implementation of wideband technology to maximizes the acoustic performance. Coupled with advanced acoustic clarity technology such as full duplex, echo cancellation, adaptive jitter buffer etc. Provide clearer, more lifelike voice communications.

A rich visual experience for applications

SIP-T26P Supports vast productivity-enhancing feature such as XML Browser, BLF, call forward, call transfer, 3-way conferencing, the 4 inch backlit display enables rich visual presentation and easier navigation of the menu, and together with all the 45 keys, SIP-T26P offers an excellent user experience to configure, make calls, etc.

Efficient Installation and Provisioning

Integrated IEEE 802.3af Power-over-Ethernet allows easy deployment with centralized powering and backup. The SIP-T26P support the FTP, TFTP, HTTP, and HTTPS protocols for file provisioning and are configured by default to use Trivial File Transfer Protocol (TFTP), supports AES encrypted XML configuration file.

Highly secure transport and interoperability

The communicator uses SIP over Transport Layer Security (TLS/SSL) to provide service providers the latest technology for enhanced network security. The range is certified compatible with 3CX, Asterisk and BroadSoft Broadworks, ensuring excellent compatibility with leading soft switch suppliers.

- > Yealink HD Voice
- > 132x64-pixel graphical LCD
- > Two-port 10/100 Ethernet Switch
- > PoE support
- > Up to 3 SIP accounts
- > Headset, EHS support
- > Supports expansion modules
- > Simple, flexible and secure provisioning options

Audio Features

- > HD voice: HD handset, HD speaker
- > Codecs: G.722, G.711(A/μ), G.723.1, G.729AB, G.726, iLBC
- > DTMF: In-band, Out-of-band(RFC 2833) and SIP INFO
- > Full-duplex hands-free speakerphone with AEC
- > VAD, CNG, AEC, PLC, AJB, AGC

Phone Features

- > 3 VoIP accounts
- > Call hold, mute, DND
- > One-touch speed dial, hotline
- > Call forward, call waiting, call transfer
- > Group listening, SMS, emergency call
- > Redial, call return, auto answer
- > Local 3-way conferencing
- > Direct IP call without SIP proxy
- > Ring tone selection/import/delete
- > Set date time manually or automatically
- > Dial plan
- > XML Browser
- > Action URL/URI
- > RTCP-XR (RFC3611), VQ-RTCPXR (RFC6035)

Directory

- > Local phonebook up to 1000 entries
- > Black list
- > XML/LDAP remote phonebook
- > Intelligent search method
- > Phonebook search/import/export
- > Call history: dialed/received/missed/forwarded

IP-PBX Features

- > Busy Lamp Field (BLF)
- > Bridged Line Appearance(BLA)
- > Anonymous call, anonymous call rejection
- > Hot-desking, emergency call
- > Message Waiting Indicator (MWI)
- > Voice mail
- > Call park, call pickup
- > Intercom, paging
- > Music on hold
- > Call completion
- > Call recording

Display and Indicator

- > 132x64-pixel graphical LCD with backlight
- > LED for call and message waiting indication
- > Dual-color (red or green) illuminated LEDs for line status information
- > Intuitive user interface with icons and soft keys
- > National language selection
- > Caller ID with name, number

Feature keys

- > 45 keys including 13 freely programmable keys
- > 8 features keys: message, headset, hold, mute, trans, redial, conf, hands-free speakerphone
- > 4 context-sensitive "soft" keys
- > 6 navigation keys
- > Volume control keys

Interface

- > 2xRJ45 10/100M Ethernet ports
- > Power over Ethernet (IEEE 802.3af), class 2
- > 1xRJ9 (4P4C) handset port
- > 1xRJ9 (4P4C) headset port
- > 1XRJ12 (6P6C) EXT port: Supports up to 6 Expansion Modules for an attendant console application

Other Physical Features

- > External universal AC adapter (optional) : AC 100~240V input and DC 5V/1.2A output
- > Power consumption (PSU): 1.2-1.9W
- > Power consumption (PoE): 1.8-2.7W
- > Dimension(W*D*H*T): 273mm*200mm*158mm*58.5mm
- > Operating humidity: 10~95%
- > Operating temperature: -10~50°C

Management

- > Configuration: browser/phone/auto-provision
- > Auto provision via FTP/TFTP/HTTP/HTTPS for mass deploy
- > Auto-provision with PnP
- > Zero-sp-touch, TR-069
- > Phone lock for personal privacy protection
- > Reset to factory, reboot
- > Package tracing export, system log

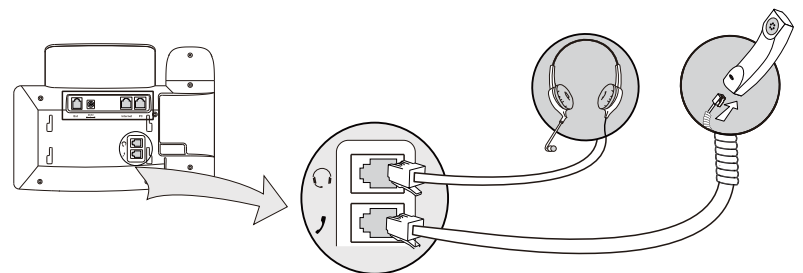
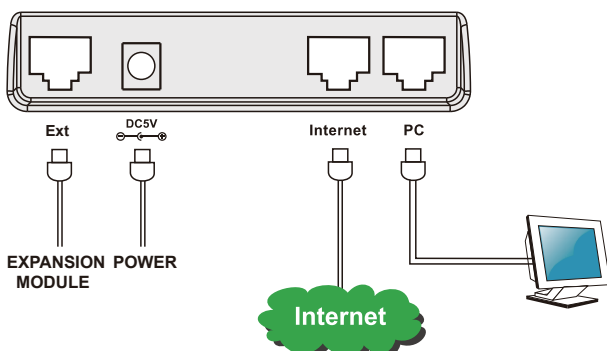
Network and Security

- > SIP v1 (RFC2543), v2 (RFC3261)
- > Call server redundancy supported
- > NAT transverse: STUN mode
- > Proxy mode and peer-to-peer SIP link mode
- > IP assignment: static/DHCP/PPPoE
- > HTTP/HTTPS web server
- > Time and date synchronization using SNTP
- > UDP/TCP/DNS-SRV(RFC 3263)
- > QoS: 802.1p/Q tagging (VLAN), Layer 3 ToS DSCP
- > SRTP for voice
- > Transport Layer Security (TLS)
- > HTTPS certificate manager
- > AES encryption for configuration file
- > Digest authentication using MD5/MD5-sess
- > OpenVPN, IEEE802.1X
- > IPv6

Package Features

- > Qty/CTN: 5 PCS
- > N.W/CTN: 6.9 KG
- > G.W/CTN: 7.6 KG
- > Giftbox size: 285mm*240mm*110mm
- > Carton Meas: 580mm*295mm*250mm

Certifications



Learn More

To find out how Yealink solutions can help your organization, visit us at www.yealink.com or mail to sales@yealink.com